



Solidilite LED

Light-curing unit for dental laboratories

USER MANUAL

Introduction

Thank you for purchasing our Solidilite LED. The instructions mentioned below provides the necessary information for successful operation, daily maintenance and safe use of this unit. Please read this user manual carefully before use to attain maximum benefits and ensure the durability of this unit.

Kindly keep this manual for your future reference.

Notice

- No part of this document may be copied or reproduced in any form by any means.
- Some information in this document may no longer be applicable to the product due to product updates.
- The information in this document is subject to change without prior notice.
- All relevant issues have been considered in the preparation of this document. However, should you notice an omission or any questionable item in this document, please feel free to contact your dealer.
- In the case of missing pages or disorder, please contact our local dealer for replacement.
- SHOFU will repair and replace the main body and its system in the case of any manufacturing defect within the warranty period. However, we do not assume any responsibility for subsequent damages arising from the failure of the unit.

Intended use

Light-curing of dental indirect composite resins
Post-curing of light-cured dental materials

1. For your safety

Understand the following items to use the product safely.

Warnings and Cautions

This manual provides safety information using the following 2 symbols to prevent accidents resulting in injury or death.

Understand the meaning of these symbols to operate the unit safely.

Warning	"Warning" indicates a potential hazardous situation which, if not avoided, could result in death or serious injuries.
Caution	"Caution" indicates a potentially hazardous situation which, if not avoided, may result in minor or moderate injury or in property damage.

IEC 62471 risk group 2

Caution

- **UV emitted from this product. Eye or skin irritation may result from exposure. Use appropriate shielding.**
- **Possibly hazardous optical radiation emitted from this product. Do not stare at operating lamp. May be harmful to the eye.**

Product tested against IEC 62471

Other notes and signs

Other notes and signs used in this manual are shown below.



Indicates that malfunctions may occur if the information is ignored.



Supplementary explanation to facilitate your operation.

Installation and connection

Warning

- **Use only suitable power sockets with ground contacts.**
Electric leakage inside the unit may lead to electric shock or fire.
- **Keep away from any source of ignition or flammable items to avoid explosion or fire.**
- **Keep away from water or any other liquid to avoid electric shock, electric leak or fire.**

Caution

- **Ensure that the power plug is free of dust and connected securely to the outlet. Use this unit in a dry and well ventilated area.**
Failure to do so may lead to fire.
- **Use one outlet supplying the necessary power exclusively for this unit to avoid overloading the circuit.**
If the power supply is insufficient, the outlet will overheat, which might result in fire or electric shock.
- **Place the unit on a flat and sturdy table that withstands its weight.**
Failure to do so may cause injuries if the unit falls down.
- **Leave a gap of at least 20 cm (8 inches) from all sides and 30 cm (12 inches) from the top of the unit.**
If adequate space is not provided for release of heat, the unit will overheat leading to smoke or fire.

Operation

Warning

- **Do not insert and pull out the plug from the outlet with wet hands.**
This may cause electric shock.
- **Protect the unit from liquids or high humidity to avoid electric leak, electric shock or fire.**
- **If there is any smoke or burning smell, immediately turn off the power, unplug the power cable and request for repair.**
Failure to do so may cause electric shock or fire.

Caution

- **Unplug by holding the plug instead of the power cord.**
Failure to do so may lead to injury, burn, electric shock or fire due to deterioration of the insulation.
- **Never damage/reprocess or apply unnecessary force on the power cord.**
A damaged power cord may cause electric shock or fire.
- **Do not open the chamber door during light irradiation.**
This may be harmful to the eyes due to direct exposure to the curing light.
- **Do not touch the door switch or insert any object.**
This may cause malfunction of the unit and also be harmful to the eyes due to direct exposure to the curing light.
- **Turn off the power after use. Also, unplug when not using this unit for a long period of time.**
Deterioration of the insulation may lead to electric shock or fire.
- **Do not use this unit for any purposes other than specifically outlined in this user manual.**
Improper use may cause injuries.
- **If there is any abnormality during use, immediately discontinue use and inspect the unit following the instructions for use or contact your dealer for repair.**
Failure to do so may cause electric shock or fire.
- **If the unit is accidentally dropped, inspect it following the instructions for use or contact your dealer for repair.**
Failure to do so may cause electric shock or fire.

Maintenance and check

Marks indicated on the unit

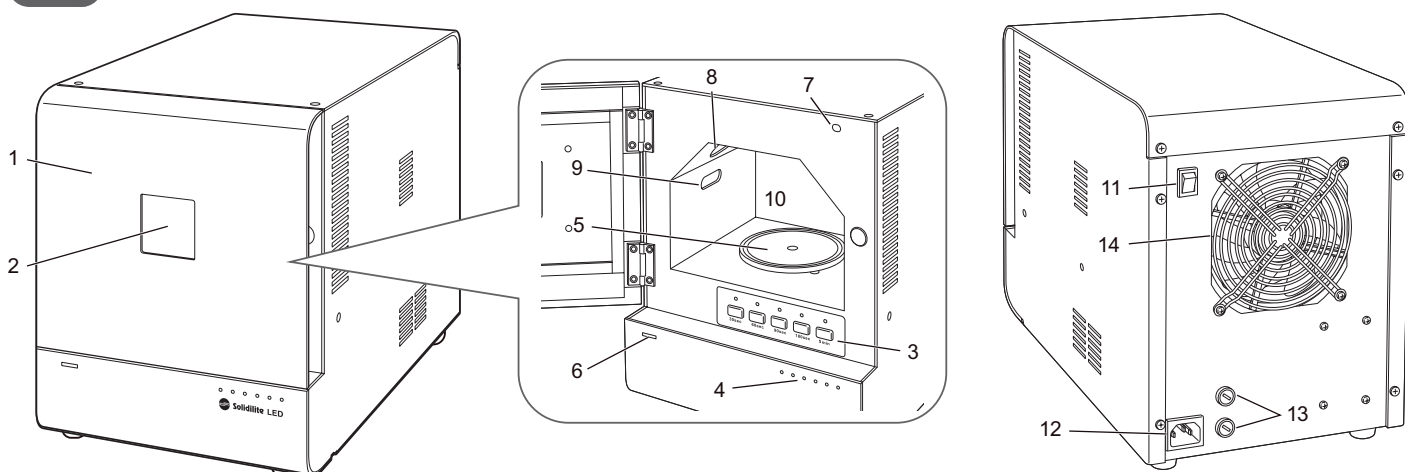
Warning

- When checking or cleaning the unit or replacing the fuse, always unplug the power plug.
Failure to do so may cause electric shock or fire.
- Never disassemble or overhaul the unit except to replace the fuse and perform other necessary replacements described in this manual.
Malfunction may cause electric shock.
- Use only the designated fuses.
Using other fuses than those specified for the unit may cause electric shock or fire.

	ON
○	OFF
⚠	Warning / Caution
🔥	Caution / Hot surface
📖	Consult instructions for use

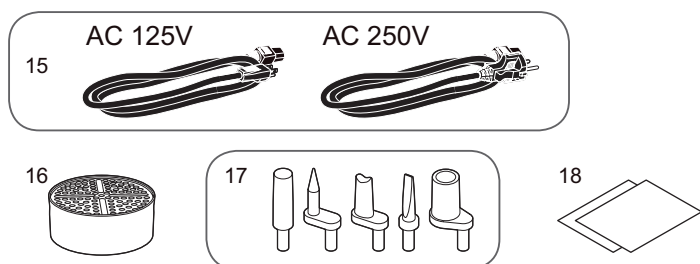
2. Contents and names of parts

Unit



- | | | |
|------------------|-------------------|------------------------------------|
| 1 Chamber door | 6 Power indicator | 11 Power switch (= ON / ○ = OFF) |
| 2 Viewing window | 7 Door switch | 12 Inlet |
| 3 Timer switch | 8 LED unit | 13 Fuse holder |
| 4 Timer lamp | 9 UV LED | 14 Cooling fan |
| 5 Turntable | 10 Curing chamber | |

Accessories



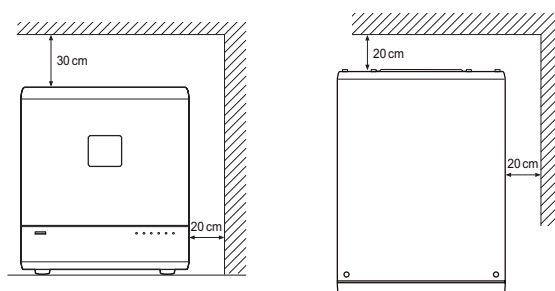
- 15 Power cord
- 16 SHOFU Post Stand P
- 17 SHOFU Post Set (3 posts each in 5 shapes)
- 18 User manual (this document)

Either a 125V or a 250V power cable is packaged.
Refer to the instructions for use of SHOFU Post Stand P and SHOFU Post Set packaged in the bags for their components.

3. Installation and connection

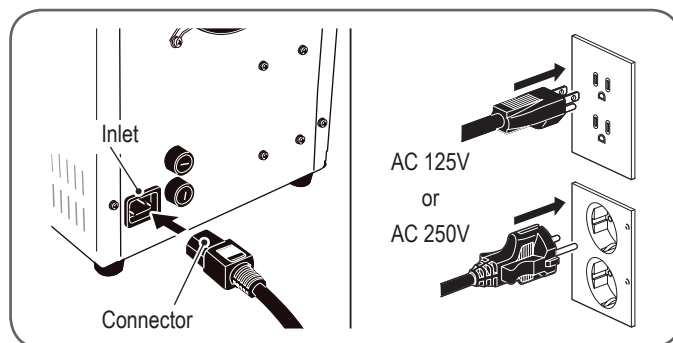
Location

- Install this unit in a dry, cool and well ventilated area in the dental laboratory, where operators can use it in a safe manner.
- Install the unit at a location, which meets the conditions described in "9. Specifications".
- Place the unit on a flat and sturdy table. A minimum gap of 20 cm (8 inches) from all sides and 30 cm (12 inches) from the top of the unit should be maintained to ensure that it is well-ventilated.



Connection of power cable

1. Switch off the power.
2. Insert the connector of the power cord into the inlet on the back of the unit and the plug into the electric outlet.



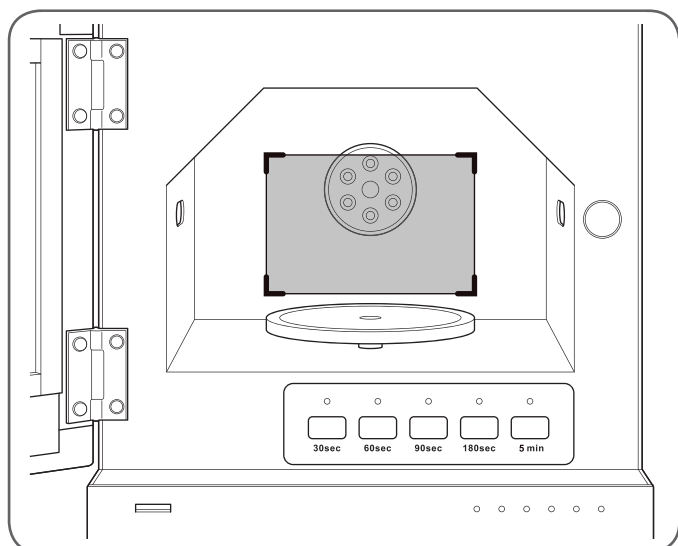
4. Directions for use

Operation

1. Turn on the power. The power indicator lights up.
2. Open the chamber door gently and place the restorations on the turntable.



- Use Post Set and Post Stand P provided to place the restorations in the unit. For selection of the appropriate post, refer to the Post Set's instructions for use.
- The gray area in the figure below indicates the curing area (90 x 60 mm).



3. Press the proper timer switch (30 sec, 60 sec, 90 sec, 180 sec, 5 min).



Standard curing time

Procedure	Time
Curing of primer paste (Pre-Opaque)	30 sec
Curing of opaque	90 sec
Curing of pontic base	90 sec
Preliminary curing of indirect composite resin (Cervical, Body, Incisal)	30 sec
Preliminary curing of flowable composite resin	30 sec
Curing of stains	30 sec.
Final light-curing	90 sec
Post-curing of light-cured dental materials	5 min

- Preliminary curing is light-curing of each layer to polymerise the entire restoration evenly.

Caution

When using the unit continuously for a long time, inside wall of the curing chamber and glass of the LED unit become very hot. Do not touch these parts to avoid skin burn.

4. Close the chamber door gently. When the chamber door is closed, light-curing starts. When opening the chamber door while light-curing is in process, the unit immediately stops working.

Caution

Do not open the chamber door while light-curing process is going on. Direct exposure to the curing light might damage your eyes.

Timer lamp display

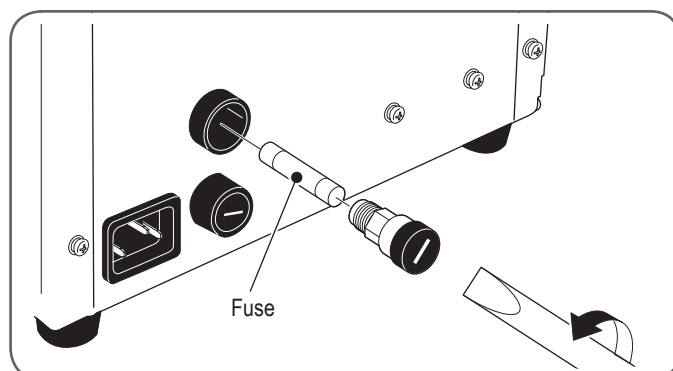
The timer lamp display shows the remaining curing time.

☀ ☀ ☀ ☀ ☀ ☀	Remaining time is 151 sec or more
○ ☀ ☀ ☀ ☀ ☀	Remaining time is between 121 and 150 sec
○ ○ ☀ ☀ ☀ ☀	Remaining time is between 91 and 120 sec
○ ○ ○ ☀ ☀ ☀	Remaining time is between 61 and 90 sec
○ ○ ○ ○ ☀ ☀	Remaining time is between 31 and 60 sec
○ ○ ○ ○ ○ ☀	Remaining time is between 1 and 30 sec
○ ○ ○ ○ ○ ○	Complete

5. After light-curing is complete, open the chamber door gently and remove the restorations from the chamber.
6. Turn off the power after use.

5. Maintenance and check

Replacement of the fuse



1. Turn off and unplug the unit.
2. Remove the screw on the back of the unit with a straight slot screwdriver.
3. Replace the old fuse with the new one.



Use the designated fuse.
(refer to "9. Specifications")

4. Replace the screw into the fuse box in the reverse order of procedure 2 (see above).

Maintenance

● Cleaning the insides of the chamber

Clean the insides of the chamber with an alcohol-moistened soft cloth periodically. If resin adheres to any part of the curing chamber, never fail to remove it prior to light-curing. Use caution to avoid touching the UV LED while cleaning. An accidental hit might remove the lens.

● Cleaning of the panel and timer switch

Do not use a thinner, benzene or any organic solvent to clean. Dilute some neutral detergent with water and soak a soft cloth in it. Squeeze out the excess detergent from the cloth and gently wipe the unit.

● Cleaning of the body

Do not use a thinner, benzene or any organic solvent to clean! Clean with an alcohol-moistened soft cloth.

6. Troubleshooting

Problem	Cause	Measure
The power indicator does not light up when the unit is turned on.	Blowout of fuse.	Replace the old fuse with a new one.
The unit does not start working when the chamber door is closed.	The chamber door is not closed completely.	Close the door securely.
The unit does not start working when the chamber door is closed. The power indicator blinks and beeps (error).	LED light sources are broken.	Contact your dealer for repair.
Bright light leakage from the unit.	The seal material has deteriorated.	Please request repair when bright light leaks from the unit.

7. Storage and transportation method

- Keep the package for storage or later transport until you finally dispose of the unit.
- Send the unit to your SHOFU dealer, SHOFU branches or sales offices for repair or extra service.
- This unit must be used and maintained by dental professionals only.
- Use caution to keep the unit stable. Avoid any inclination, vibration and impact (including during transportation).
- Transport and store the unit under the conditions described on the box.

8. Disposal of the unit

- Do not dispose of this unit together with your household waste.
- Please refer to the information provided by your local authorities regarding the proper handling of end-of-life electric and electronic equipment.

9. Specifications

Model	SSLL-1	
Power supply voltage	AC 100-240 V 50/60 Hz	
Voltage fluctuation	± 10 %	
Power input	170 VA	
Fuse	2 × F 3,15 A L 250 V	
Light source	LED module	12 × Blue (455 nm), 12 × White (5,000 K)
	UV LED	6 × 385 nm
Dimensions	225 mm (W) × 330 mm (D) × 290 mm (H)	
Weight	approx. 9.5 kg	
Use environment	Temperature	5 °C - 40 °C
	Humidity	5 °C - 31 °C: relative humidity up to 80 %, 31 °C - 40 °C: relative humidity declining linearly to 50 %
	Altitude	2,000 m or lower
	Overvoltage category	II
	Pollution degree	2

10. Accessories (sold separately)

SHOFU Post Stand P
SHOFU Post Set

11. Warranty

This product has undergone strict inspection before shipping. Should this product, under normal operating conditions, prove defective within one year from the date of purchase, it will be repaired free of charge.

12. EU declaration of conformity

Manufacturer	SHOFU Inc. Head Office 11 Kamitakamatsu-Cho, Fukuine Higashiyama-Ku Kyoto 605-0983, Japan
Product	Solidilite LED The product Solidilite LED has been built and tested according to the following relevant EU norms and specifications.
Standard	Safety: EN61010-1 EMC: EN61326-1
Directive	Safety: LVD 2014/35/EU EMC: EMC 2014/30/EU
EU-representative	SHOFU DENTAL GmbH An der Pönt 70, 40885 Ratingen, Germany Phone: +49 (0) 21 02 / 86 64-0 Fax: +49 (0) 21 02 / 86 64-64 Homepage: www.shofu.de



Manufacturer
SHOFU INC.

11 Kamitakamatsu-cho,
Fukuine, Higashiyama-ku,
Kyoto 605-0983, Japan

EC REP SHOFU DENTAL GmbH

An der Pönt 70, 40885 Ratingen, Germany www.shofu.de